

● **FEATURES 特性**

- 1.Toroidal distributed gap makes less leakage of magnetic flux.
- 2.High saturation current.

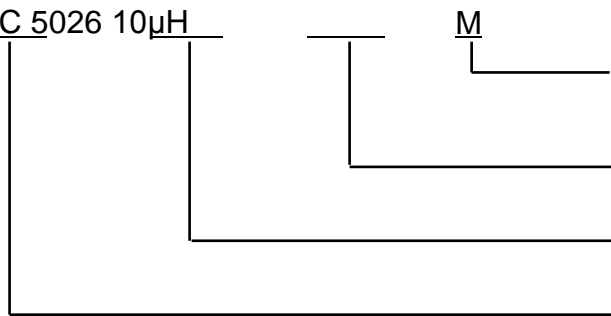
● **APPLICATIONS 用途**

Useful in a wide variety of power converter and line filter applications.

● **PART NUMBERING SYSTEM 品名系统**

JFTC 5026 10 μ H

M



4. TOLERANCE CODE 公差

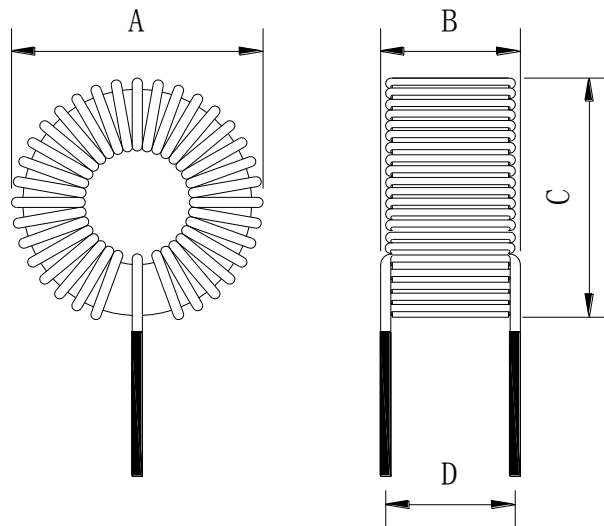
J: $\pm 5\%$, K: $\pm 10\%$, L: $\pm 15\%$

M: $\pm 20\%$, P: $\pm 25\%$, N: $\pm 30\%$

3. INDUCTANCE 电感值

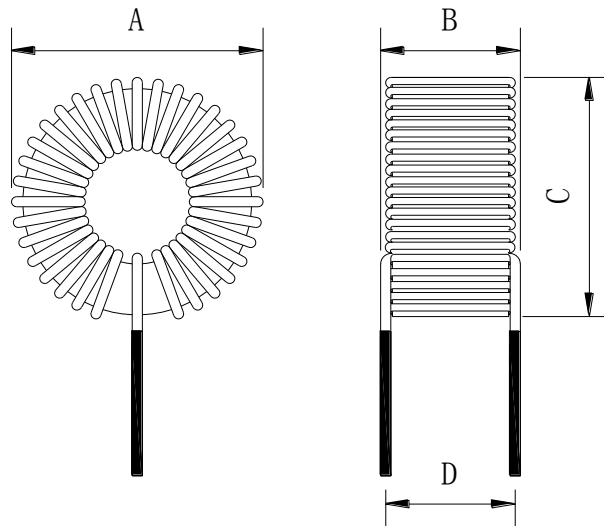
2. DIMENSIONS 尺寸

1. SERIES NAME 品名



Unit: mm

TYPE	INDUCTANCE	A	B	C	D	Work Frequency
T16-26(52)	1.0uH-10.0uH	6.0	3.5	6.0	2.5	1.0-100.0KHZ
T20-26(52)	1.0uH-10.0uH	7.0	4.0	7.0	3.0	1.0-100.0KHZ
T25-26(52)	1.0uH-15.0uH	8.5	4.5	8.5	3.5	1.0-100.0KHZ
T26-26(52)	1.0uH-25.0uH	8.5	7.0	8.5	6.0	1.0-100.0KHZ
T30-26(52)	2.0uH-30.0uH	10.0	5.5	10.0	4.5	1.0-100.0KHZ
T37-26(52)	2.0uH-35.0uH	12.0	5.5	12.0	4.5	1.0-100.0KHZ
T38-26(52)	2.0uH-45.0uH	12.0	7.0	12.0	6.0	1.0-100.0KHZ
T44-26(52)	3.0uH-50.0uH	13.0	6.0	13.0	5.0	1.0-100.0KHZ
T50-26(52)	5.0uH-60.0uH	15.0	8.0	15.0	6.0	1.0-100.0KHZ
T51-26(52)	5.0uH-60.0uH	12.0	8.5	12.0	7.0	1.0-100.0KHZ
T60-26(52)	5.0uH-70.0uH	18.0	8.5	18.0	7.0	1.0-100.0KHZ



Unit: mm

TYPE	INDUCTANCE	A	B	C	D	Work Frequency
T68-26(52)	5.0uH-75.0uH	21.0	8.5	21.0	7.0	1.0-100.0KHZ
T72-26(52)	5.0uH-75.0uH	21.0	9.0	21.0	7.0	1.0-100.0KHZ
T80-26(52)	5.0uH-80.0uH	24.0	9.0	24.0	8.0	1.0-100.0KHZ
T90-26(52)	5.0uH-80.0uH	27.0	13.0	27.0	11.0	1.0-100.0KHZ
T94-26(52)	5.0uH-80.0uH	27.0	11.0	27.0	9.0	1.0-100.0KHZ
T106-26(52)	5.0uH-80.0uH	31.0	14.0	31.0	12.0	1.0-100.0KHZ
T130-26(52)	0.5mH-3.0mH	36.0	14.0	36.0	12.0	1.0-100.0KHZ
T131-26(52)	0.5mH-3.0mH	36.0	14.0	36.0	12.0	1.0-100.0KHZ
T141-26(52)	0.7mH-3.2mH	39.0	14.0	39.0	12.0	1.0-100.0KHZ
T150-26(52)	1.0mH-3.5mH	42.0	14.0	42.0	12.0	1.0-100.0KHZ
T157-26(52)	1.0mH-3.5mH	43.0	17.0	43.0	15.0	1.0-100.0KHZ
T175-26(52)	1.0mH-3.7mH	48.0	19.0	48.0	17.0	1.0-100.0KHZ
T184-26(52)	1.0mH-3.5mH	51.0	22.0	51.0	19.0	1.0-100.0KHZ
T200-26(52)	2.0mH-4.0mH	55.0	28.0	55.0	26.0	1.0-100.0KHZ
T201-26(52)	2.0mH-4.0mH	55.0	25.0	55.0	23.0	1.0-100.0KHZ
T225-26(52)	2.0mH-4.0mH	60.0	18.0	60.0	16.0	1.0-100.0KHZ
T250-26(52)	2.0mH-4.0mH	68.0	30.0	68.0	27.0	1.0-100.0KHZ
T300-26(52)	2.0mH-4.0mH	81.0	40.0	81.0	25.0	1.0-100.0KHZ
T400-26(52)	2.0mH-4.0mH	115.0	50.0	115.0	30.0	1.0-100.0KHZ